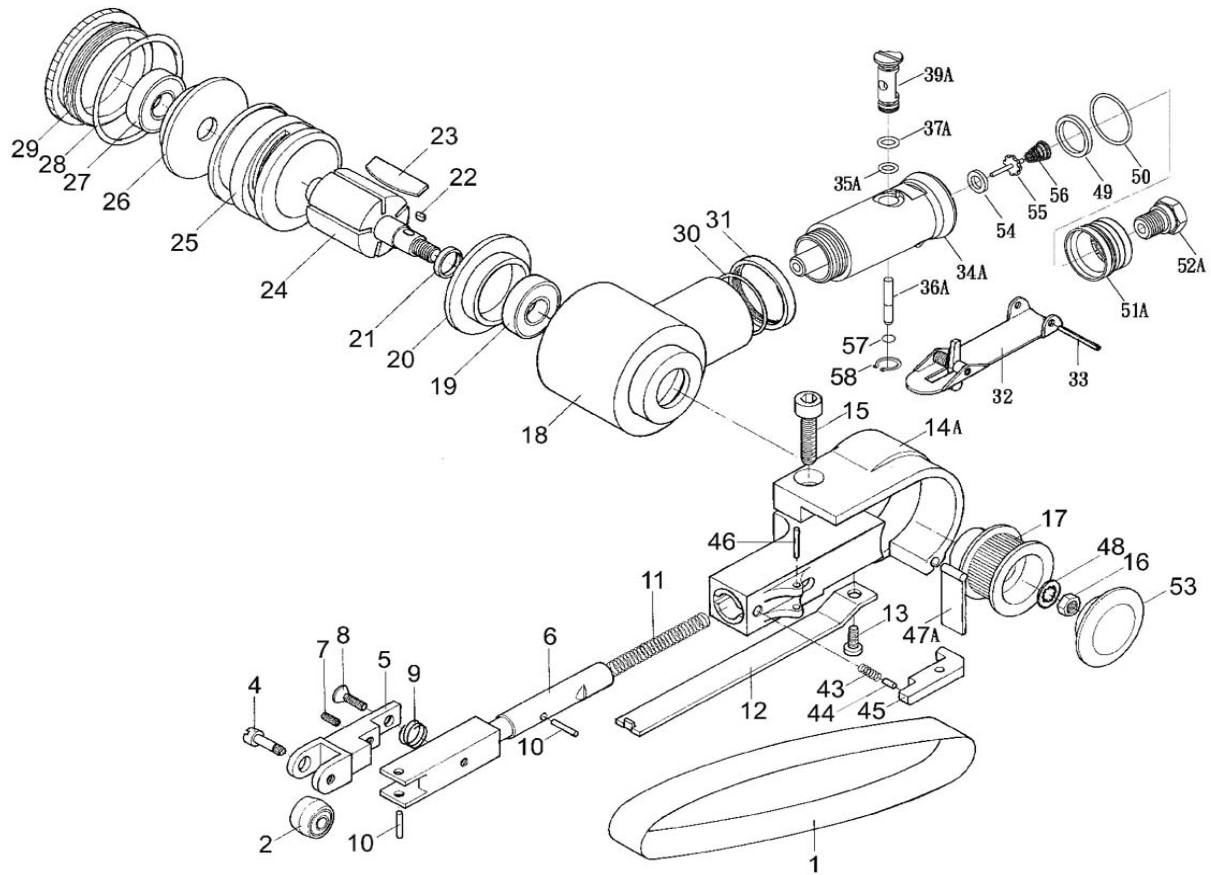


C-3535

AIR BELT SANDER (10x330mm) (COMPOSITE BODY)



PARTS LIST

No.	Parts No.	Description	Q'ty
1	SPC3535-01	Grinding Belt (#80, #100, #120)	3
2	SPC3535-02	Idle Pulley Sub Assy	1
4	SPC3535-04	Idle Pulley Shaft	1
5	SPC3535-05	Bracket	1
6	SPC3535-06	Tension Bar	1
7	SPC3535-07	Hexagon Socket Headless Set Screw 3x6	1
8	SPC3535-08	Screw 3x8	1
9	SPC3535-09	Spring 1.0x7.2x6.5	1
10	SPC3535-10	Spring Pin 3x10	2
11	SPC3535-11	Spring 1.0x4.0x35.5	1
12	SPC3535-12	Shoe	1
13	SPC3535-13	Screw 4x8	1
14A	SPC3535-14A	Guard Sub Assy A	1
15	SPC3535-15	Hexagon Socket Head Bolt 5x12	1
16	SPC3535-16	Hexagon Nut M6	1
17	SPC3535-17	Drive Pulley	1
18	SPC3535-18	Housing	1
19	SPC3535-19	Ball Bearing	1
20	SPC3535-20	Front End Plate	1
21	SPC3535-21	Spacer	1
22	SPC3535-22	Sunk Key	1
23	SPC3535-23	Rotor Blade	5
24	SPC3535-24	Rotor	1
25	SPC3535-25	Cylinder	1
26	SPC3535-26	Rear Plate	1
27	SPC3535-27	Ball Bearing	1
28	SPC3535-28	O-Ring	1

No.	Parts No.	Description	Q'ty
29	SPC3535-29	Motor Nut	1
30	SPC3535-30	O-Ring	1
31	SPC3535-31	Lock Nut	1
32	SPC3535-32	Throttle Lever	1
33	SPC3535-33	Lever Pin	1
34A	SPC3535-34A	Motor Housing	1
35A	SPC3535-35A	O-Ring	1
36A	SPC3535-36A	Valve Stem	1
37A	SPC3535-37A	O-Ring	1
39A	SPC3535-39A	Air Controller	1
43	SPC3535-43	Spring	1
44	SPC3535-44	Lever Pin	1
45	SPC3535-45	Tension Bar	1
46	SPC3535-46	Lever Pin	1
47A	SPC3535-47A	Dust Cover	1
48	SPC3535-48	Washer	1
49	SPC3535-49	Silencer	1
50	SPC3535-50	O-Ring	1
51A	SPC3535-51A	Air Controller	1
52A	SPC3535-52A	Air Inlet	1
53	SPC3535-53	Cap	1
54	SPC3535-54	Seal	1
55	SPC3535-55	Valve Stem	1
56	SPC3535-56	Spring	1
57	SPC3535-57	O-Ring	1
58	SPC3535-58	Snap Ring	1