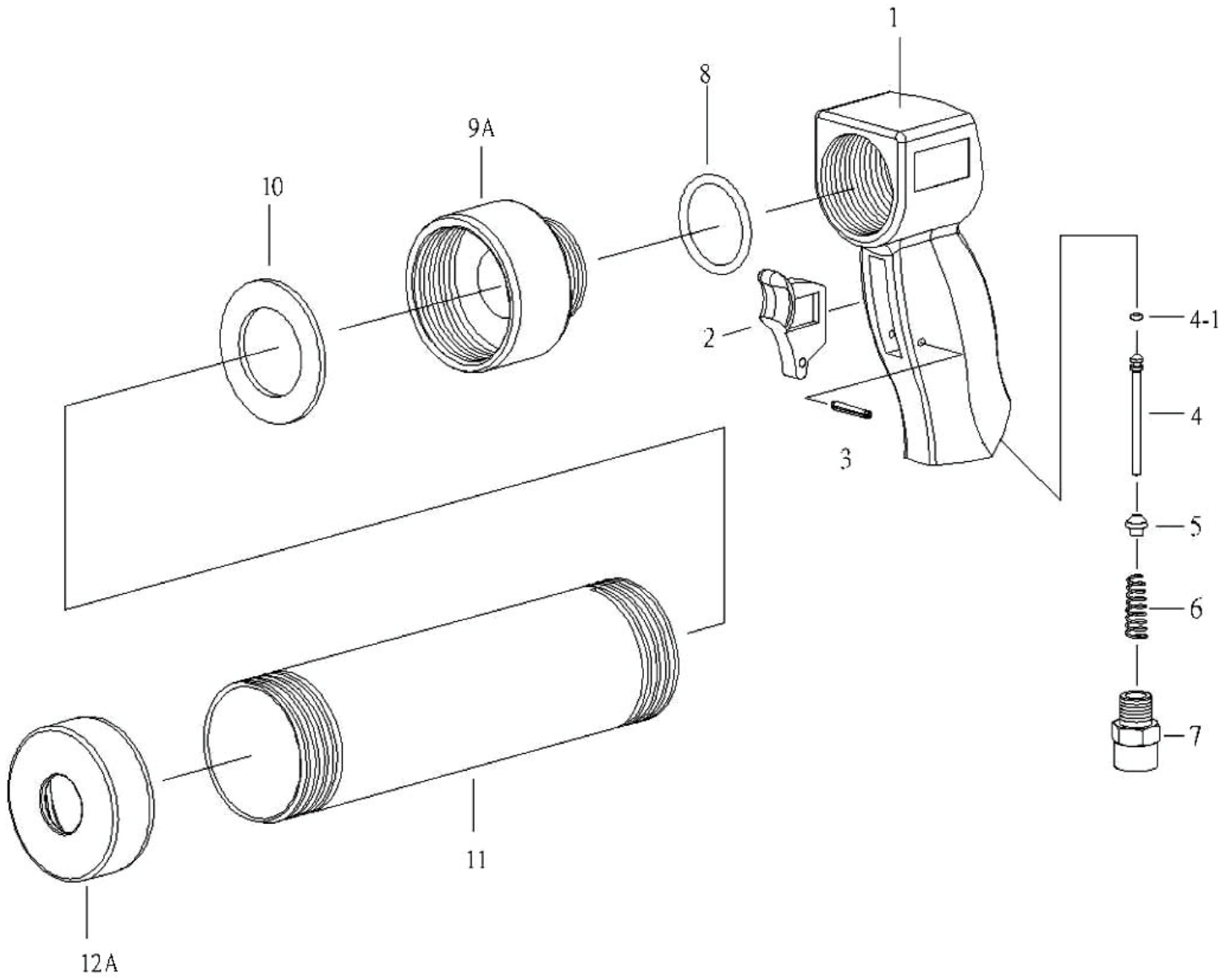


NM-200

AIR CAULKING GUN (METAL)



PARTS LIST

No.	Parts No.	Description	Q'ty
1	NM2006640A-01	Handle	1
2	NM2006640A-02	Trigger	1
3	NM2006640A-03	Pin (3x20)	1
4	NM2006640A-04	Valve Stem	1
4-1	NM2006640A-04-1	O-Ring (2.5x1.5)	1
5	NM2006640A-05	Valve Seat	1
6	NM2006640A-06	Spring	1
7	NM2006640A-07	Intle Bushing	1
8	NM2006640A-08	O-Ring (P32)	1
9A	NM2006640A-09A	Adaptor	1
10	NM2006640A-10	Seal (35x55x3)	1
11	NM2006640A-11	Cylinder	1
12A	NM2006640A-12A	End Cap	1