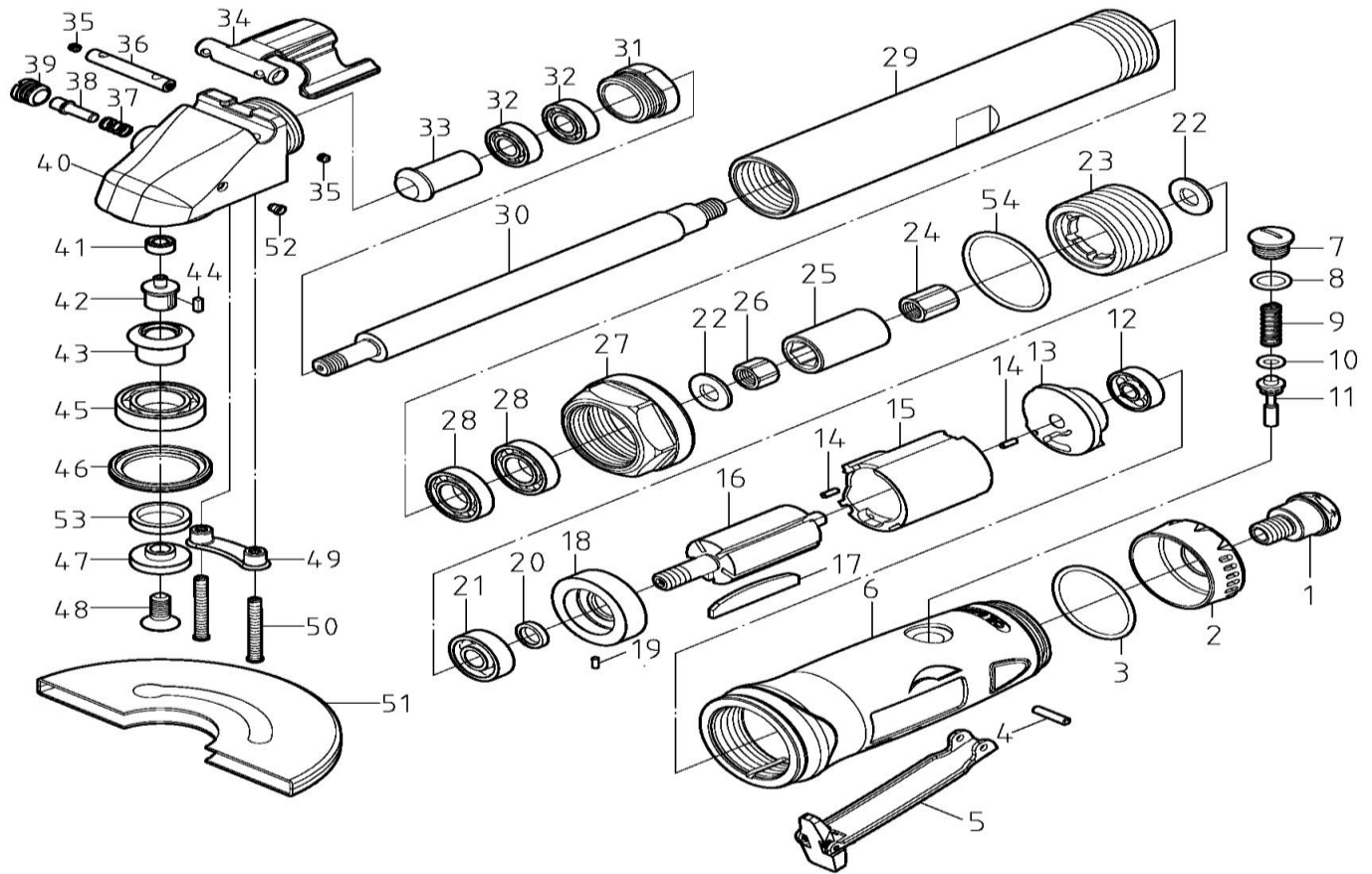


I-9315 BLACK CORNER GRINDER



Ref. No.	Part No.	Description	Q'ty Tool	Ref. No.	Part No.	Description	Q'ty Tool
1	SPI9315X001	Air Inlet	1	28	SPI9315X028	Ball Bearing	2
2	SPI9315X002	Exhaust Deflector	1	29	SPI9315X029	Front Casing	1
3	SPI9315X003	O-Ring	1	30	SPI9315X030	Anvil	1
4	SPI9315X004	Spring Pin	1	31	SPI9315X031	Cylinder Set Screw	1
5	SPI9315X005	Trigger	1	32	SPI9315X032	Ball Bearing	2
6	SPI9315X006	Housing	1	33	SPI9315X033	Driving Gear Spindle	1
7	SPI9315X007	Screw	1	34	SPI9315X034	Quick Release Trigger	1
8	SPI9315X008	O-Ring	1	35	SPI9315X035	Screw	2
9	SPI9315X009	Spring Pin	1	36	SPI9315X036	Bushing	1
10	SPI9315X010	O-Ring	1	37	SPI9315X037	Spring	1
11	SPI9315X011	Pin Valve Rod	1	38	SPI9315X038	Lock Pin	1
12	SPI9315X012	Ball Bearing	1	39	SPI9315X039	Screw	1
13	SPI9315X013	Rear Plate	1	40	SPI9315X040	Gear Housing	1
14	SPI9315X014	Spring Pin	2	41	SPI9315B043	Ball Bearing	1
15	SPI9315X015	Cylinder	1	42	SPI9315B044	Drive Shaft (Anvil)	1
16	SPI9315X016	Rotor	1	43	SPI9315B046	Bevel Gear	1
17	SPI9315X017	Rotor Blade	5	44	SPI9315B045	Key	1
18	SPI9315X018	Front Plate	1	45	SPI9315B047	Ball Bearing	1
19	SPI9315X019	Pin	1	46	SPI9315B048	Nut (Screw)	1
20	SPI9315X020	Washer	1	47	SPI9315B050	Flange (Bushing)	1
21	SPI9315X021	Ball Bearing	1	48	SPI9315B051	Wheel Locking Screw	1
22	SPI9315X022	Washer	2	49	SPI9315X041	Cover Guide (Bolt Holder)	1
23	SPI9315X023	Cylinder Set Screw	1	50	SPI9315X042	Screw	2
24	SPI9315X024	Lock Nut	1	51	SPI9315B042	Cover (Wheel Guard)	1
25	SPI9315X025	Drive Bushing	1	52	SPI9315X043	Oil Drop	1
26	SPI9315X026	Lock Nut	1	53	SPI9315B049	Ring (Washer)	1
27	SPI9315X027	Lock Nut	1	54	SPI9315X044	O-Ring	1